



PRODUCT MANUAL

Modern Freestanding Tub Fillers

Items: No.017, No.172 & No.041 Faucets



Products are approved and listed in compliance with the following standards:
ASME A112.18.1-2018/CSA B125.1-18
MA Code Accepted

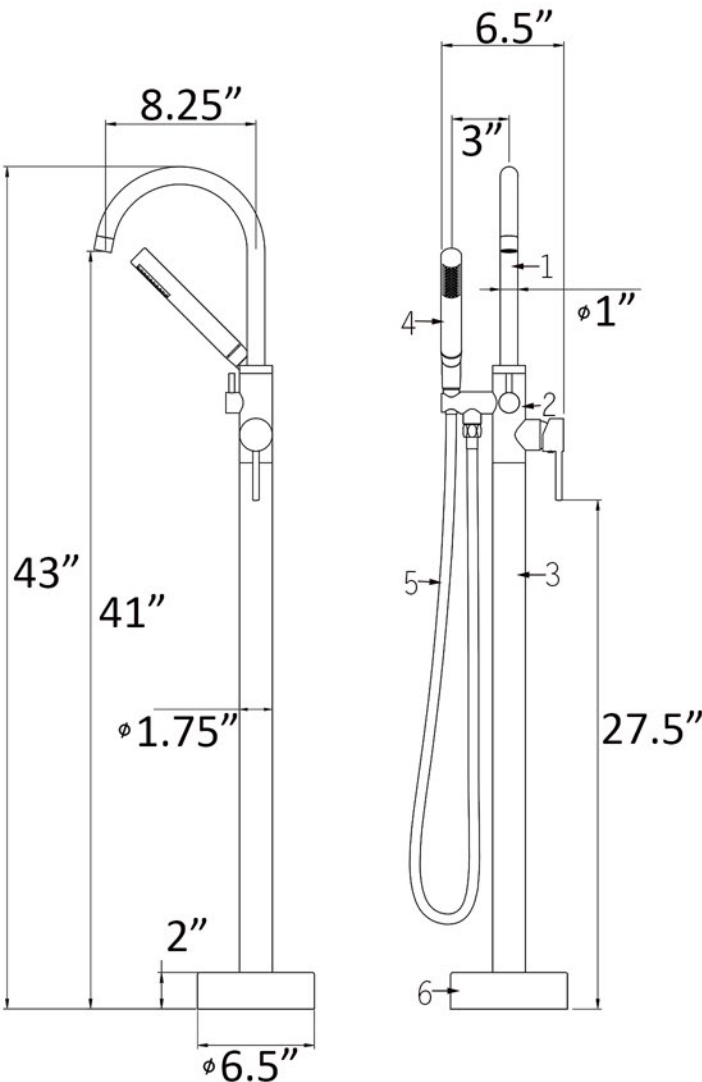
10-year limited warranty applies on valves and the faucet body

Product is approved and listed in compliance with the following standards:
 ASME A112.18.1-2018/CSA B125.1-18
 MA Code Accepted

No.172 Modern Single Lever Freestanding Tub Filler Installation Guide

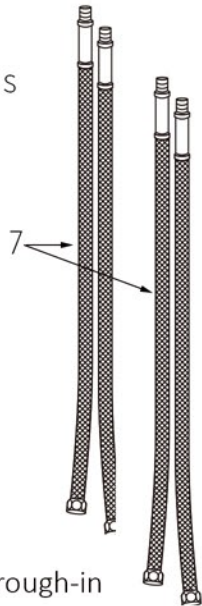
Available Finishes;

Chrome No.172CH
 Brushed Nickel No.172BN
 Polished Nickel No.172PN
 Brushed Brass No.172BB
 Matte Black No.172MB



List of Items Included

1. Faucet Spout
2. Faucet Valve
3. Supply Lines Tube
4. Handheld Shower
5. Handheld Shower Hose
6. Escutcheon
- * 7. Flexible Supply Lines
(2 sets)
1 set x 31.75" long
1 set x 33.75" long
8. Tripod Base
9. Anchor Bolts



* Use 31.75" long for above floor rough-in
 Use 33.75" long for under floor rough-in

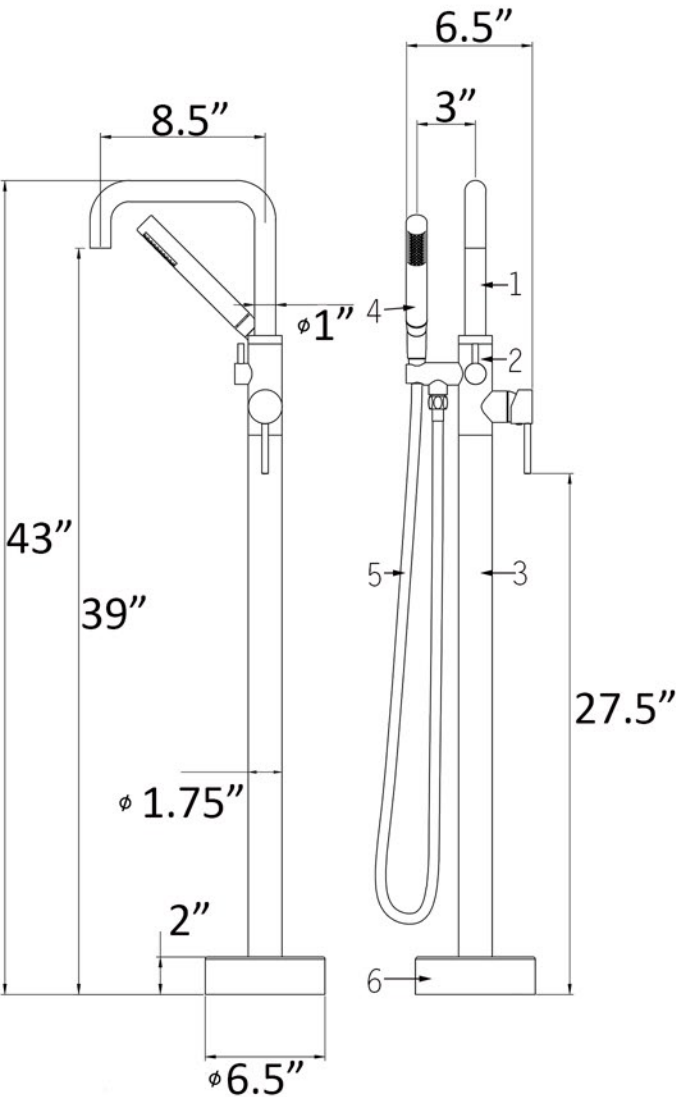


Product is approved and listed in compliance with the following standards:
 ASME A112.18.1-2018/CSA B125.1-18
 MA Code Accepted

No.017 Modern Single Lever Freestanding Tub Filler Installation Guide

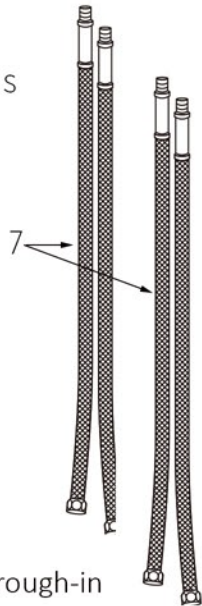
Available Finishes;

- Chrome No.017CH
- Brushed Nickel No.017BN
- Polished Nickel No.017PN
- Brushed Brass No.017BB
- Matte Black No.017MB



List of Items Included

1. Faucet Spout
2. Faucet Valve
3. Supply Lines Tube
4. Handheld Shower
5. Handheld Shower Hose
6. Escutcheon
- * 7. Flexible Supply Lines
(2 sets)
1 set x 31.75" long
1 set x 33.75" long
8. Tripod Base
9. Anchor Bolts



* Use 31.75" long for above floor rough-in
 Use 33.75" long for under floor rough-in





Product is approved and listed in compliance with the following standards:
ASME A112.18.1-2018/CSA B125.1-18
MA Code Accepted

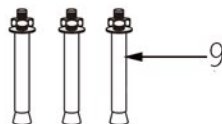
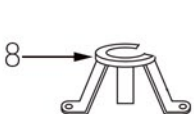
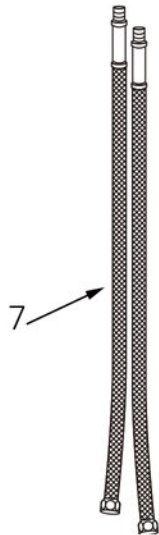
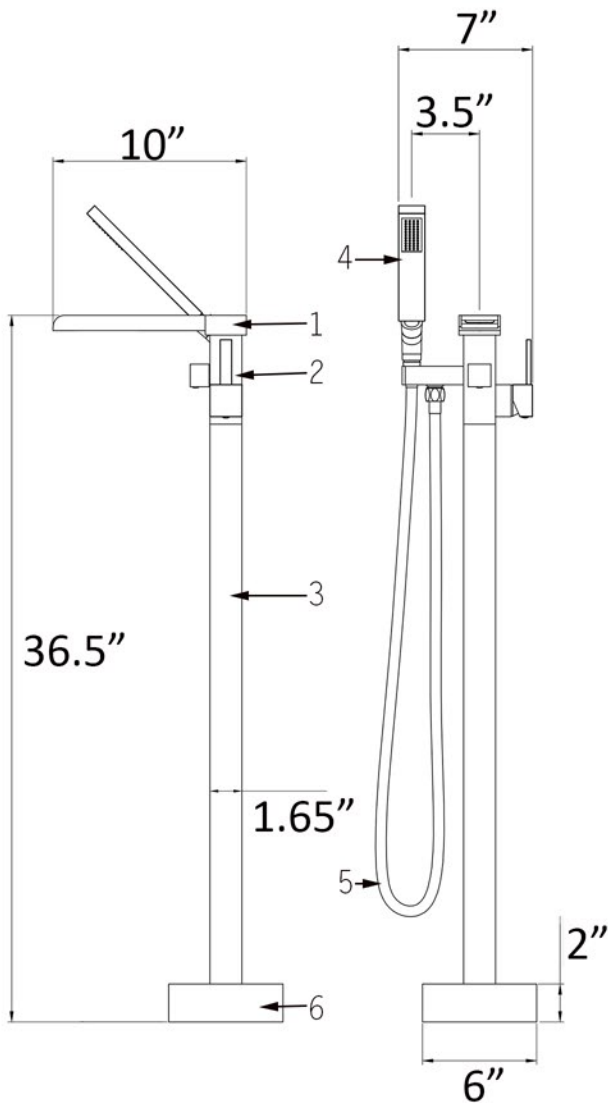
No.041 Modern Single Lever Freestanding Tub Filler Installation Guide

Available Finishes;

Chrome No.041CH
Brushed Nickel No.041BN
Polished Nickel No.041PN
Brushed Brass No.041BB
Matte Black No.041MB

List of Items Included

1. Faucet Spout
2. Faucet Valve
3. Supply Lines Tube
4. Handheld Shower
5. Handheld Shower Hose
6. Escutcheon
7. Flexible Supply Lines
8. Tripod Base
9. Anchor Bolts



Product is approved and listed in compliance with the following standards:
 ASME A112.18.1-2018/CSA B125.1-18
 MA Code Accepted

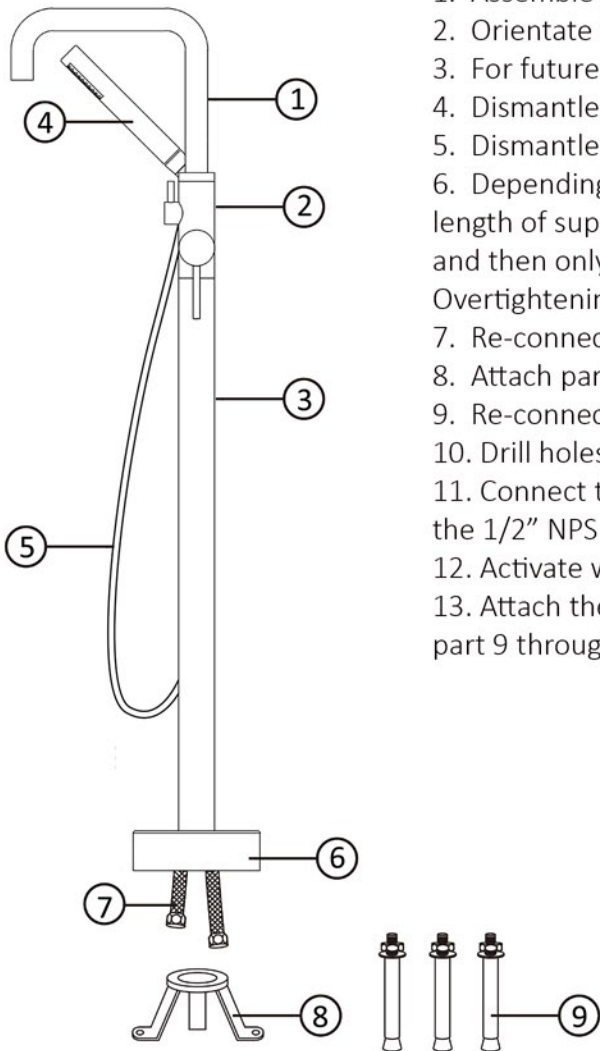
No.017 & No.172 Modern Single Lever Freestanding Tub Filler Installation Guide

See separate rough-in recommendation for above or below floor access

Test your water supply for pressure and flow rate and clear if necessary before connecting the faucet

ASSEMBLY

1. Assemble parts 1,2,3 and 8 together.
2. Orientate the faucet valve, part 2, to be parallel with the bathtub.
3. For future drilling, mark off the floor holes to correspond with part 8.
4. Dismantle part 3 from part 2.
5. Dismantle part 8 from part 3.
6. Depending on your rough-in and access availability, choose the length of supply line needed and connect part 7 to part 2. Hand tighten and then only a small part turn with a wrench. Overtightening will damage the O rings.
7. Re-connect part 2 to part 3.
8. Attach part 6 onto part 3.
9. Re-connect part 8 to part 3 ensuring that the connection is tight.
10. Drill holes if using anchor bolts for part 8 to fit.
11. Connect the 1/2" female nuts on the flexible supply lines part 7, to the 1/2" NPS male nipples in the floor.
12. Activate water supply and check for leaks.
13. Attach the fully assembled faucet to the floor using floor anchors part 9 through part 8 or fix to suit the floor substrate.



Notes:

- A. Use shorter flex lines (part 7-81) for installation from above floor level.
- B. Use longer flex lines (part 7-86) for installation from under floor level.
- C. For above floor assembly, only attach the tripod base 8 to the floor after connecting the flex lines. For below floor, connect part 8 to the floor before attaching flex lines.

Product is approved and listed in compliance with the following standards:
 ASME A112.18.1-2018/CSA B125.1-18
 MA Code Accepted

No.041 Modern Single Lever Freestanding Tub Filler Installation Guide

See separate rough-in recommendation for above or below floor access

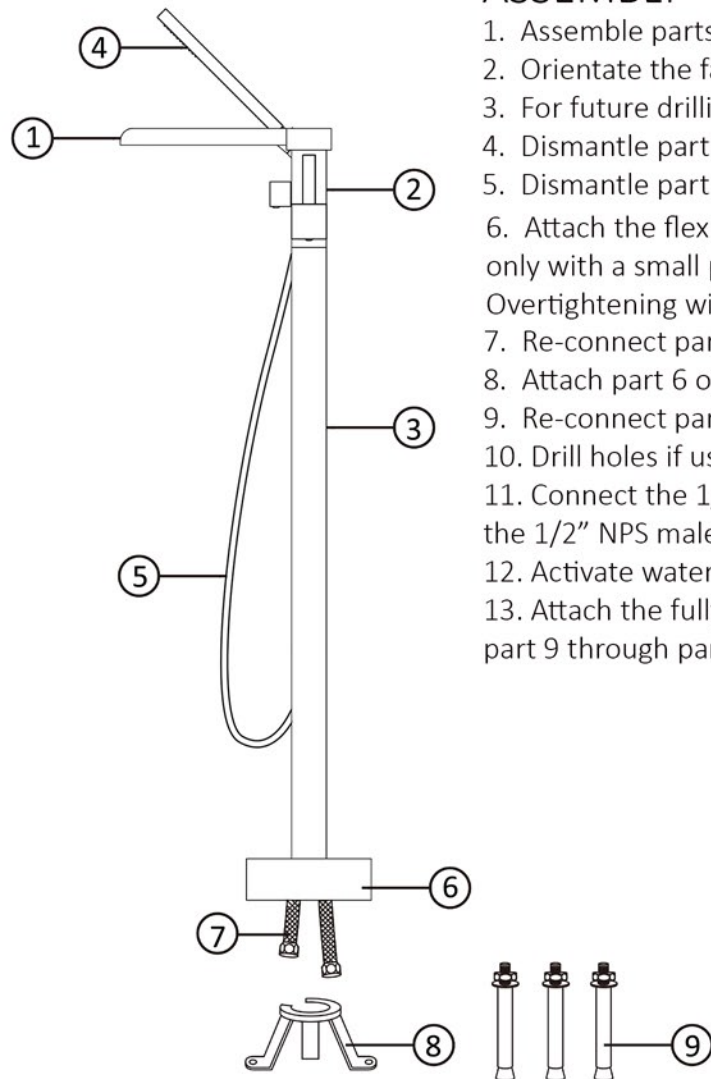
Test your water supply for pressure and flow rate and clear if necessary before connecting the faucet

ASSEMBLY

1. Assemble parts 1,2,3 and 8 together.
2. Orientate the faucet valve, part 2, to be parallel with the bathtub.
3. For future drilling, mark off the floor holes to correspond with part 8.
4. Dismantle part 3 from part 2.
5. Dismantle part 8 from part 3.
6. Attach the flex lines part 7 to the faucet body part 2. Hand tighten only with a small part turn with a wrench.. Overtightening will damage the O rings.
7. Re-connect part 2 to part 3. Tighten set screws at top of 3 to 2.
8. Attach part 6 onto part 3.
9. Re-connect part 8 to part 3 ensuring that the connection is tight.
10. Drill holes if using anchor bolts for part 8 to fit.
11. Connect the 1/2" female nuts on the flexible supply lines part 7, to the 1/2" NPS male nipples in the floor.
12. Activate water supply and check for leaks.
13. Attach the fully assembled faucet to the floor using floor anchors part 9 through part 8 or fix to suit the floor substrate.

NOTES:

For above floor assembly, only attach the tripod base 8 to the floor after connecting the flex lines.
 For below floor, connect part 8 to the floor before attaching flex lines.

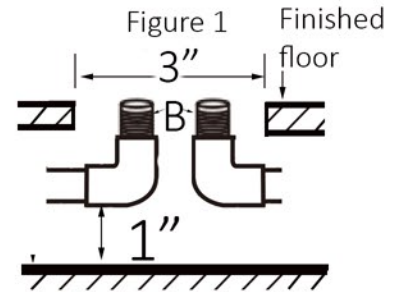




Waterlands Faucet Numbers- 017; 172; 041

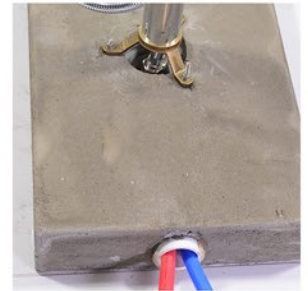
Rough-in plumbing from above floor

1. We recommend the use of PEX tubing.
2. As per Figure 1, we recommend that the PEX lines should be in an approximately 1.5" diameter conduit or open space (see photo 2).
Leave about 1" space under the elbow to allow for some flexibility in the supply lines.



3. As per figure 1, leave 1/2" IPS male nipples (B) at finished floor level. For ease of access, they should be 1/2" to 1" apart.

Photo 2



4. As per Figure 1, leave no more than a 3" diameter access hole for the flex line wrench access to make the final connection.

Photo 3



5. Do not bolt the tripod base to the floor until after the flex lines are connected. (see photo 3)
6. On faucets No.017 and No.172, we supply two lengths of flex lines, use the shorter lengths for this assembly



Waterlands Faucet Numbers- 017; 172; 041

Rough-in plumbing from below floor

1. For installation below floor, we recommend that you leave the supply nipples approximately 1" below the floor (see Figure 1).

2. The 1/2" IPS male supply nipples as noted at 'B' can be up to 1.5" apart.

3. To allow fitting space for the tripod base, the access cut out in the floor, as per Figure 1, should be no more than 3" diameter.

4. On the No. 017 and No.172 faucets, we supply two lengths of flex line, use the longer flex lines for this installation.

5. After assembly of the faucet, bolt the tripod base to the floor leaving the flex lines to protrude through and then connect to the supply nipples B.

