

THE WATERLANDS

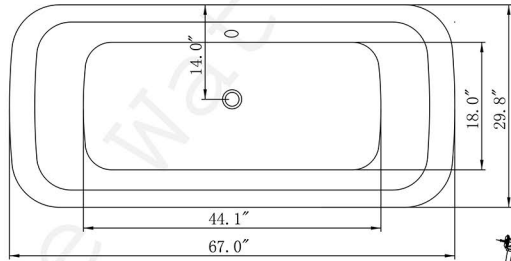
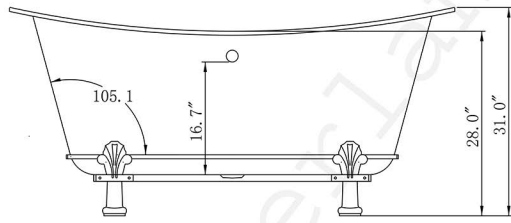


67" long Chariot Clawfoot Tub



Photo here shows Verdigris Copper

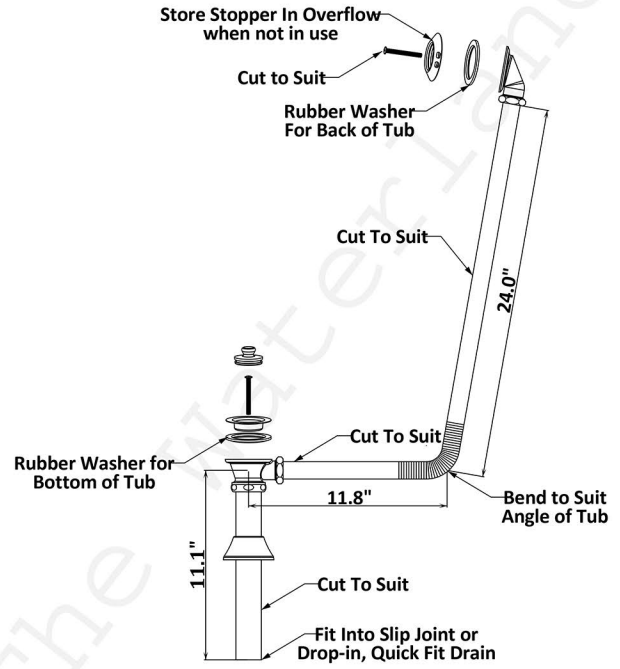
67" Chariot Clawfoot



Weight Empty = 410 lbs
Requires Waterlands Drain TW010/1
Dimensions Accurate to 2%
ASME/ANSI/CSA Approved
MA Code Accepted

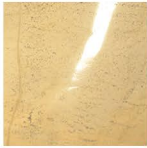
www.thewaterlands.com

Drain TW010/1



www.thewaterlands.com

Available Metal
Exterior Finishes
(will show mold marks)



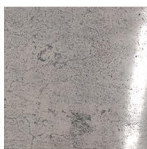
Living Finish
Polished Brass



Living Finish
Polished Copper



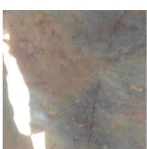
Polished Pewter



Stainless Steel



Verdigris Copper



Tempered Brass

Available Painted
Exterior Finishes
(will be smooth)



Customer to specify
paint brand, name
and/or number.

Customer to specify
sheen from:
matte
eggshell/satin
gloss

Notes:

All tubs offer gloss white enamel interior.
Metal finished exteriors always show mold marks.

Solid color finished exteriors are always smooth.

Never use bleach on any of the tubs.
Do not use bleach on the feet.

Living finishes copper and brass can be easily maintained as shiny with a soft cloth and some Mothers polish. Upon request, we can lacquer living finishes, but it will dull the actual metal finish.

Drain Finish; Fully Finished

Customer to specify

Polished Nickel

Brushed Nickel

Chrome

Satin Black

Oil Rubbed Bronze

Unlacquered Polished Brass

Unlacquered Brushed Brass

Foot Finish: Customer to specify

Polished Nickel, Brushed Nickel, Chrome,

Oil Rubbed Bronze. Any Solid Color

Warranty:

Limited lifetime warranty applies on both the enamel and exterior surfaces (see website for full details)