

THE WATERLANDS



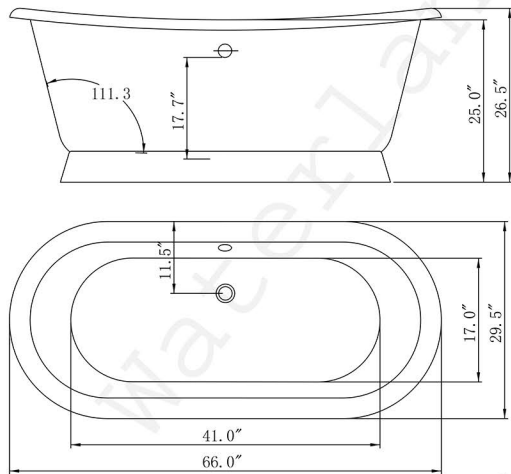
66" long Plinth Bateau Tub



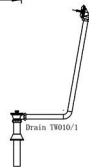
Photo here shows Polished Copper



66" Plinth Bateau



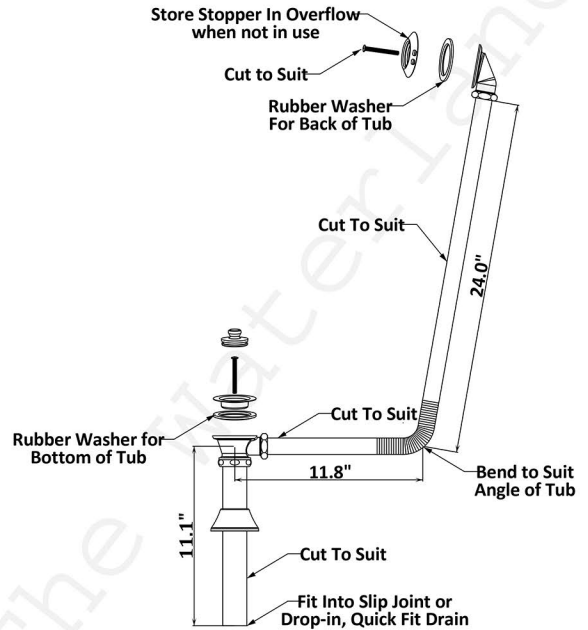
Weight Empty = 390 lbs
Requires Waterlands Drain TW010/1
Dimensions Accurate to 2%
ASME/ANSI/CSA Approved
MA Code Accepted



www.thewaterlands.com



Drain TW010/1



www.thewaterlands.com

Available Metal
Exterior Finishes
(will show mold marks)



Living Finish
Polished Brass



Living Finish
Polished Copper



Polished Pewter



Stainless Steel



Verdigris Copper



Tempered Brass

Available Painted
Exterior Finishes
(will be smooth)



Customer to specify
paint brand, name
and/or number.

Customer to specify
sheen from:
matte
eggshell/satin
gloss

Notes:

All tubs offer gloss white enamel interior.
Metal finished exteriors always show mold marks.
Solid color finished exteriors are always smooth.
Never use bleach on any of the tubs.
Living finishes copper and brass can be easily maintained as shiny with a soft cloth and some Mothers polish.
Upon request, we can lacquer living finishes, but it will dull the actual metal finish.

Drain Finish: Fully Finished

- Customer to specify
- Polished Nickel
- Brushed Nickel
- Chrome
- Satin Black
- Oil Rubbed Bronze
- Unlacquered Polished Brass
- Unlacquered Brushed Brass

Warranty:

Limited lifetime warranty applies on both the enamel and exterior surfaces (see website for full details)