

# THE WATERLANDS



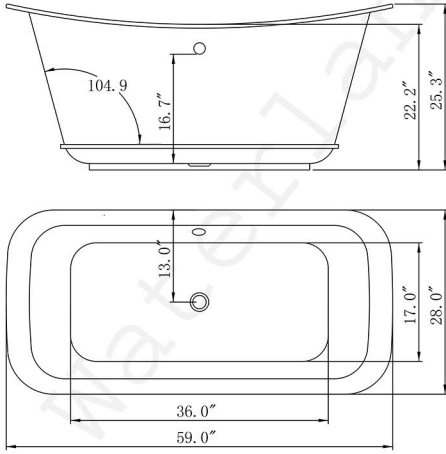
59" long Chariot Standing Tub



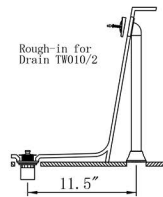
Photo here shows Polished Pewter



### 59" Chariot Standing



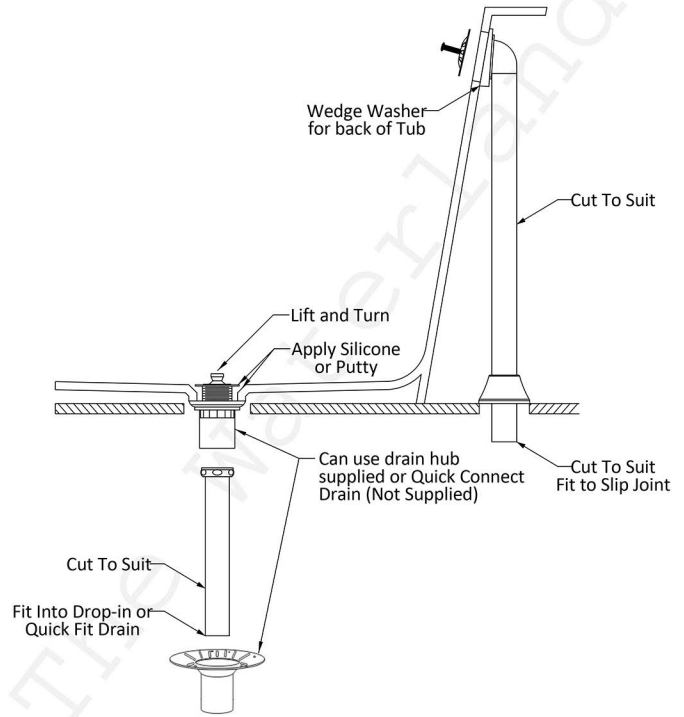
Weight Empty = 447 lbs  
 Requires Waterlands Drain TW010/2 or Equivalent  
 Dimensions Accurate to 2%  
 ASME/ANSI/CSA Approved  
 MA Code Accepted



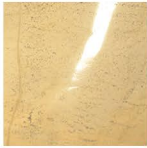
www.thewaterlands.com



### Drain TW010/2



#### Available Metal Exterior Finishes (will show mold marks)



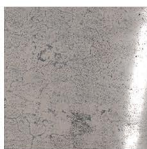
Living Finish  
 Polished Brass



Living Finish  
 Polished Copper



Polished Pewter



Stainless Steel



Verdigris Copper



Tempered Brass

#### Available Painted Exterior Finishes (will be smooth)



Customer to specify paint brand, name and/or number.

Customer to specify sheen from: matte eggshell/satin gloss

#### Notes:

All tubs offer gloss white enamel interior. Metal finished exteriors always show mold marks. Solid color finished exteriors are always smooth. Never use bleach on any of the tubs. Living finishes copper and brass can be easily maintained as shiny with a soft cloth and some Mothers polish. Upon request, we can lacquer living finishes, but it will dull the actual metal finish.

#### Drain Finish: Fully Finished

- Customer to specify
- Polished Nickel
- Brushed Nickel
- Chrome
- Satin Black
- Oil Rubbed Bronze
- Unlacquered Polished Brass
- Unlacquered Brushed Brass

#### Warranty:

Limited lifetime warranty applies on both the enamel and exterior surfaces (see website for full details)