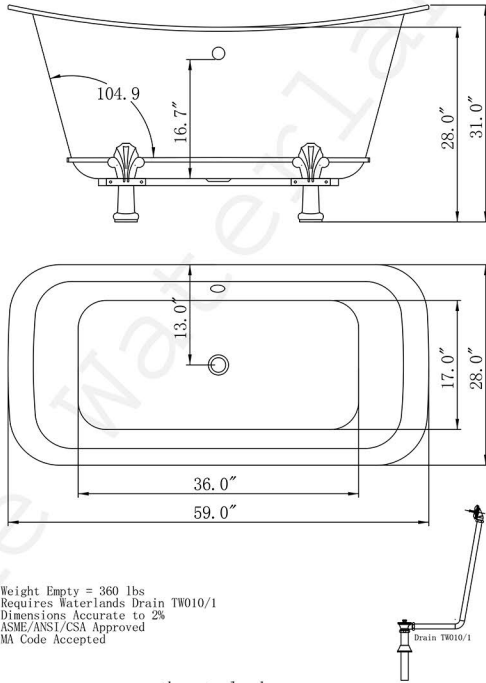


THE WATERLANDS

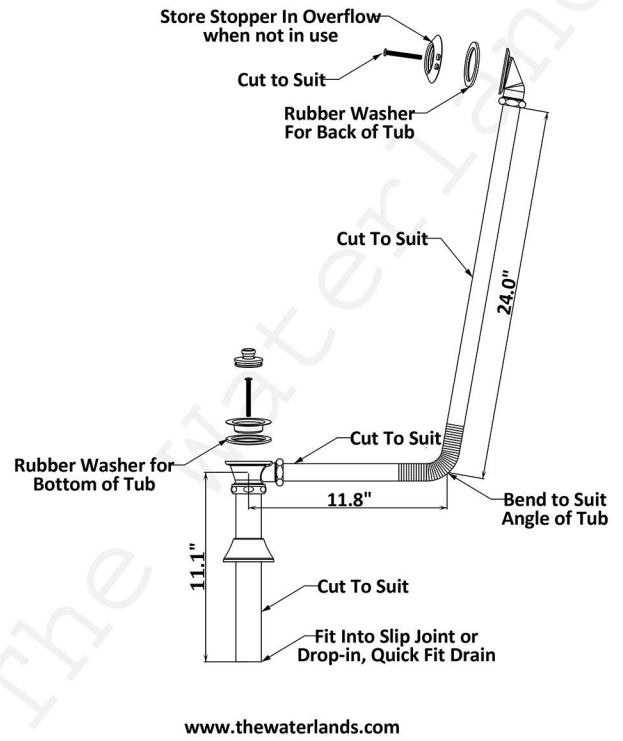
59" long Chariot Clawfoot Tub



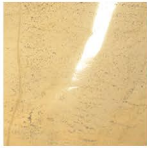
59" Chariot Clawfoot



www.thewaterlands.com



Available Metal Exterior Finishes (will show mold marks)



Living Finish Polished Brass



Living Finish Polished Copper



Polished Pewter



Stainless Steel



Verdigris Copper



Tempered Brass

Available Painted Exterior Finishes (will be smooth)



Customer to specify paint brand, name and/or number.

Customer to specify sheen from:
matte
eggshell/satin
gloss

Notes:

All tubs offer gloss white enamel interior. Metal finished exteriors always show mold marks. Solid color finished exteriors are always smooth. Never use bleach on any of the tubs. Do not use bleach on the feet. Living finishes copper and brass can be easily maintained as shiny with a soft cloth and some Mothers polish. Upon request, we can lacquer living finishes, but it will dull the actual metal finish.

Drain Finish; Customer to specify

- Polished Nickel
- Brushed Nickel
- Chrome
- Satin Black
- Oil Rubbed Bronze
- Unlacquered Polished Brass
- Unlacquered Brushed Brass

Foot Finish: Customer to specify

- Polished Nickel, Brushed Nickel, Chrome, Oil Rubbed Bronze, Any Solid Color